

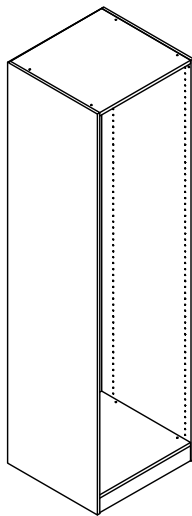
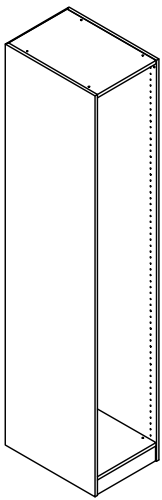
**kvik** 

# Module 16 Mounting instruction

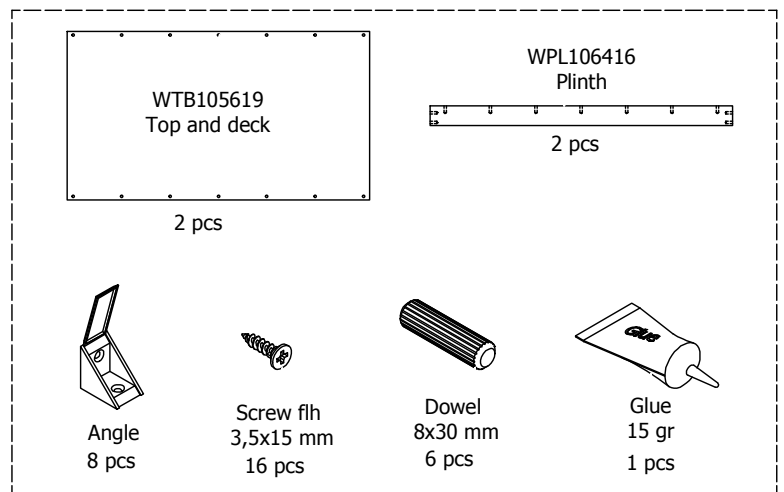
## Example:

40 cm cabine

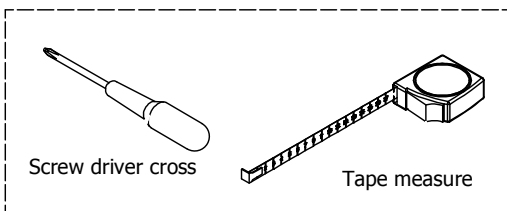
60 cm cabine



Flex part - Module 16



Tools



# Template for marking up flex part

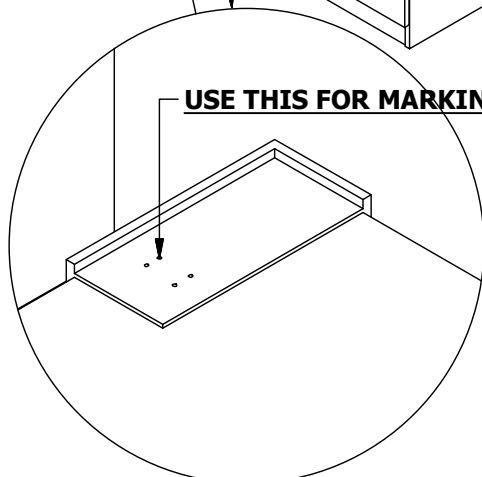
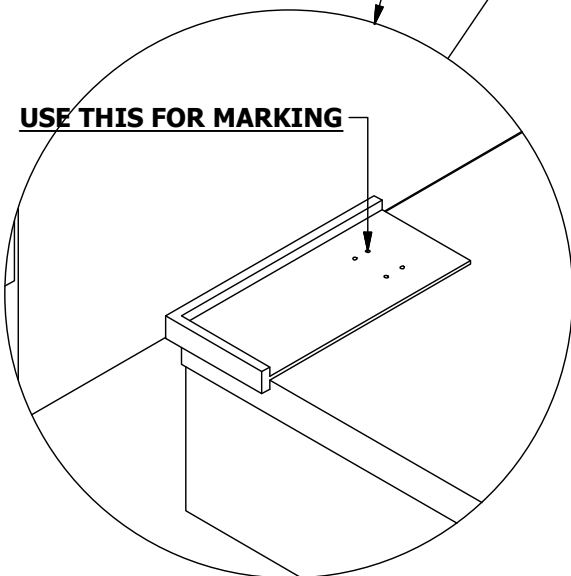
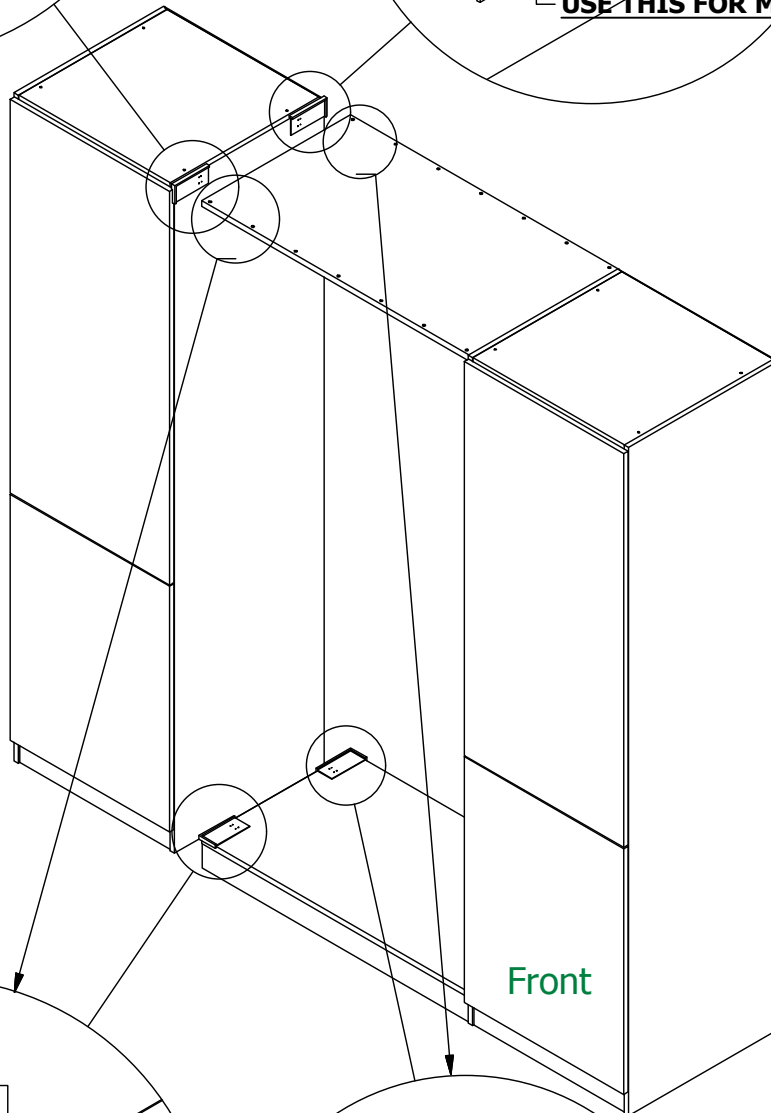
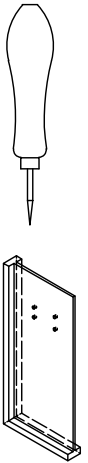
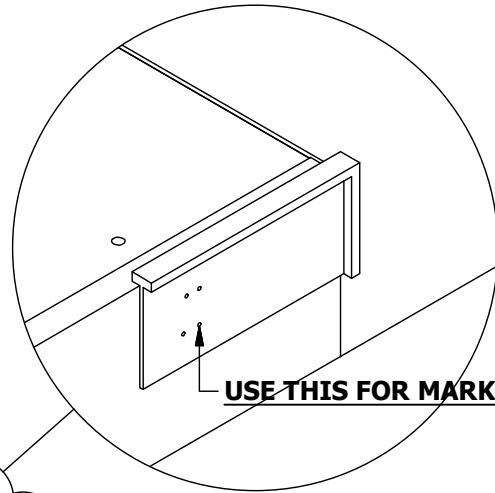
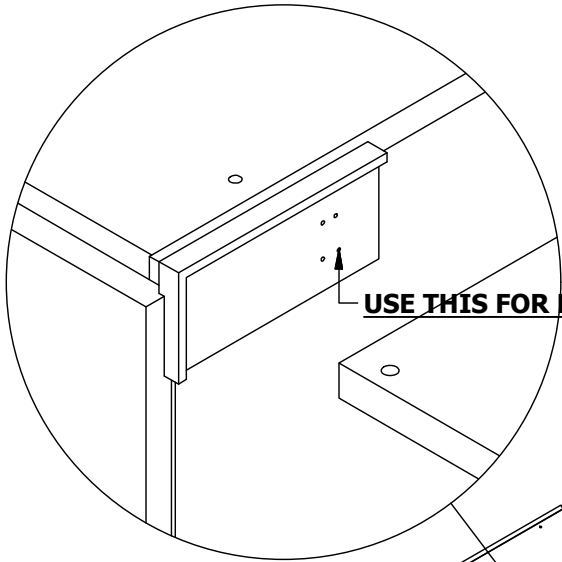


FIG. 1

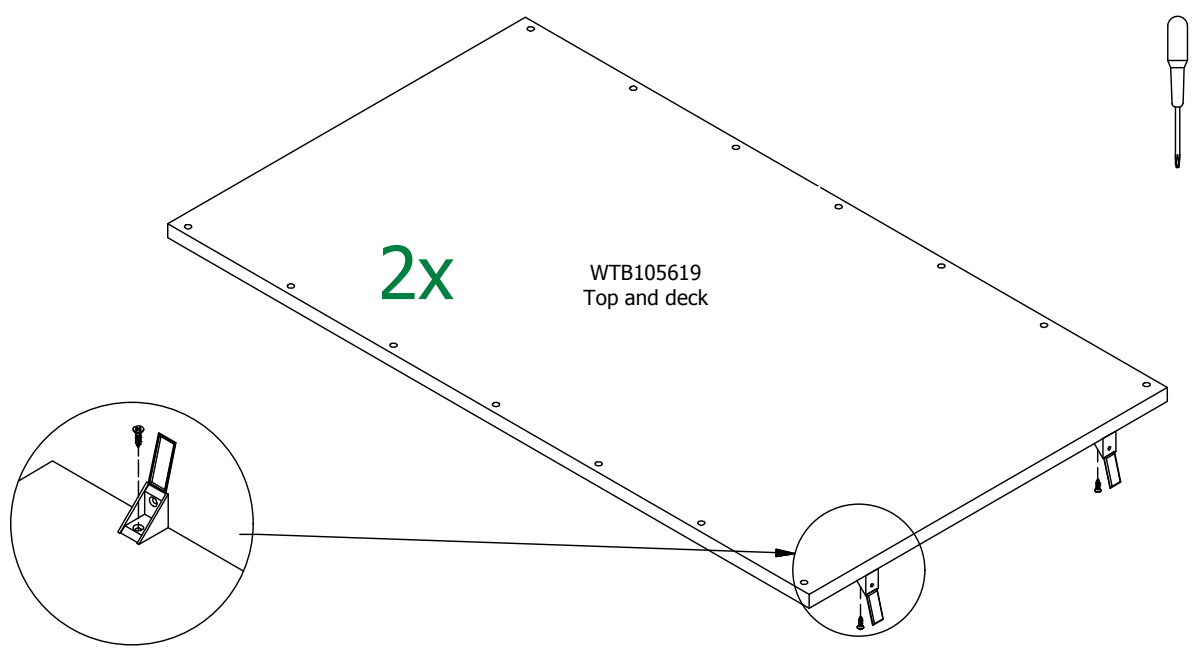


FIG. 2

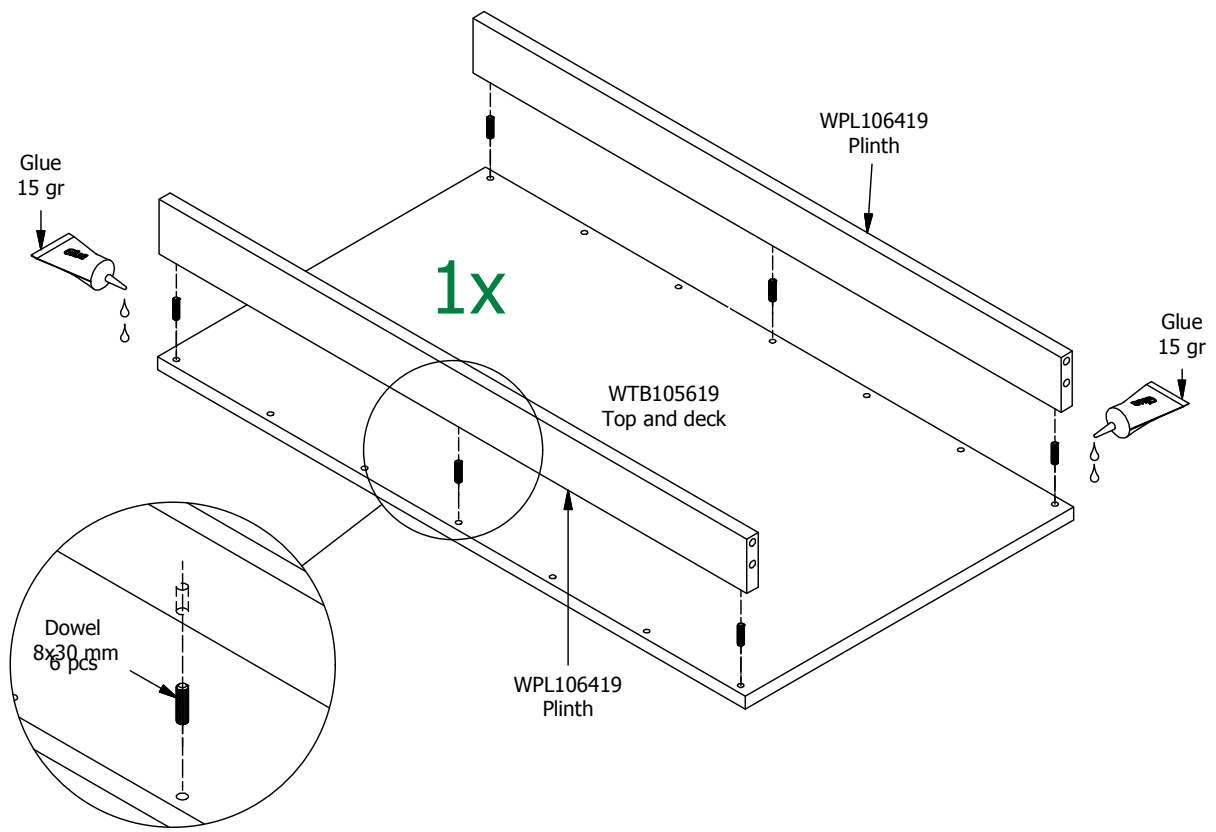


FIG. 3

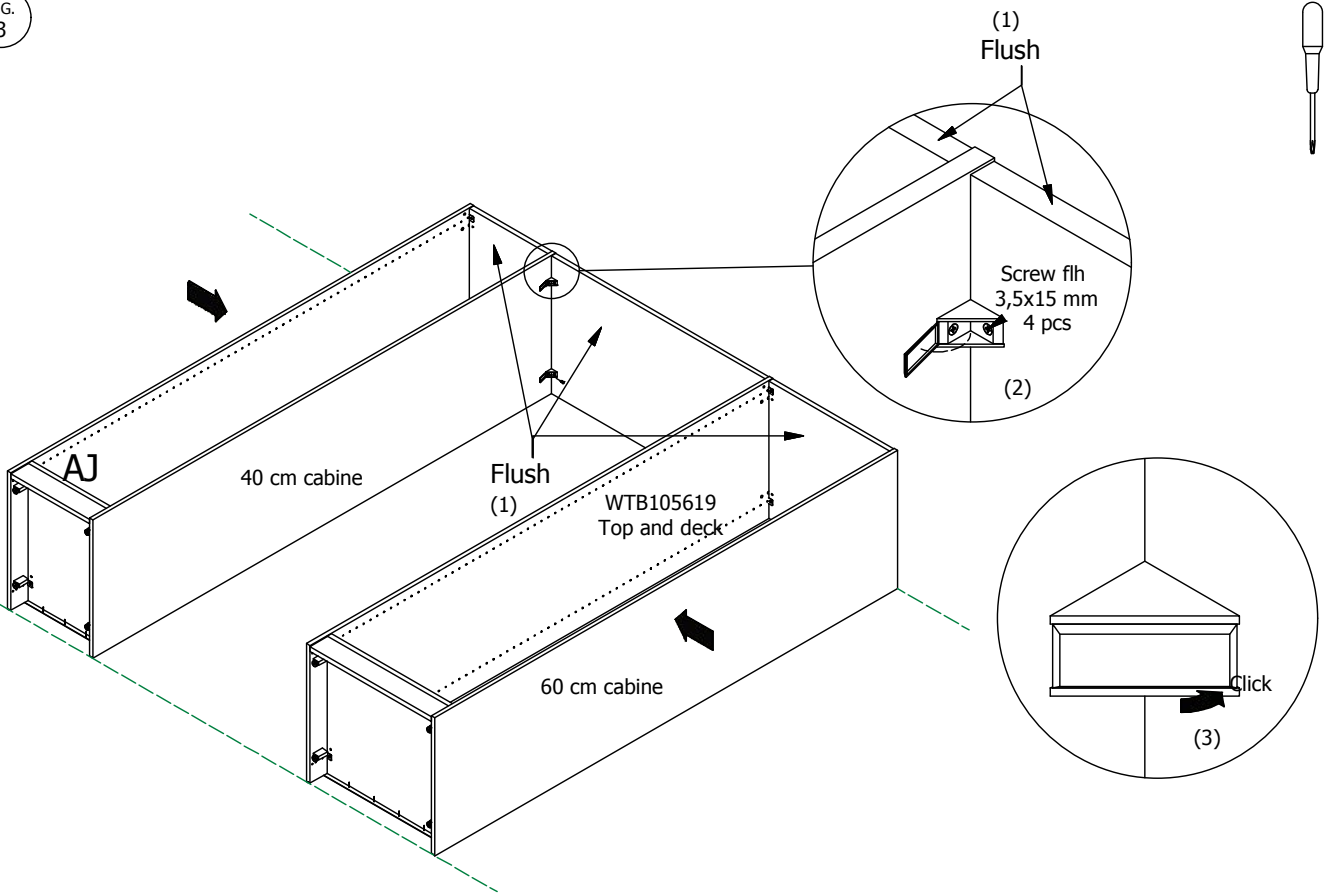
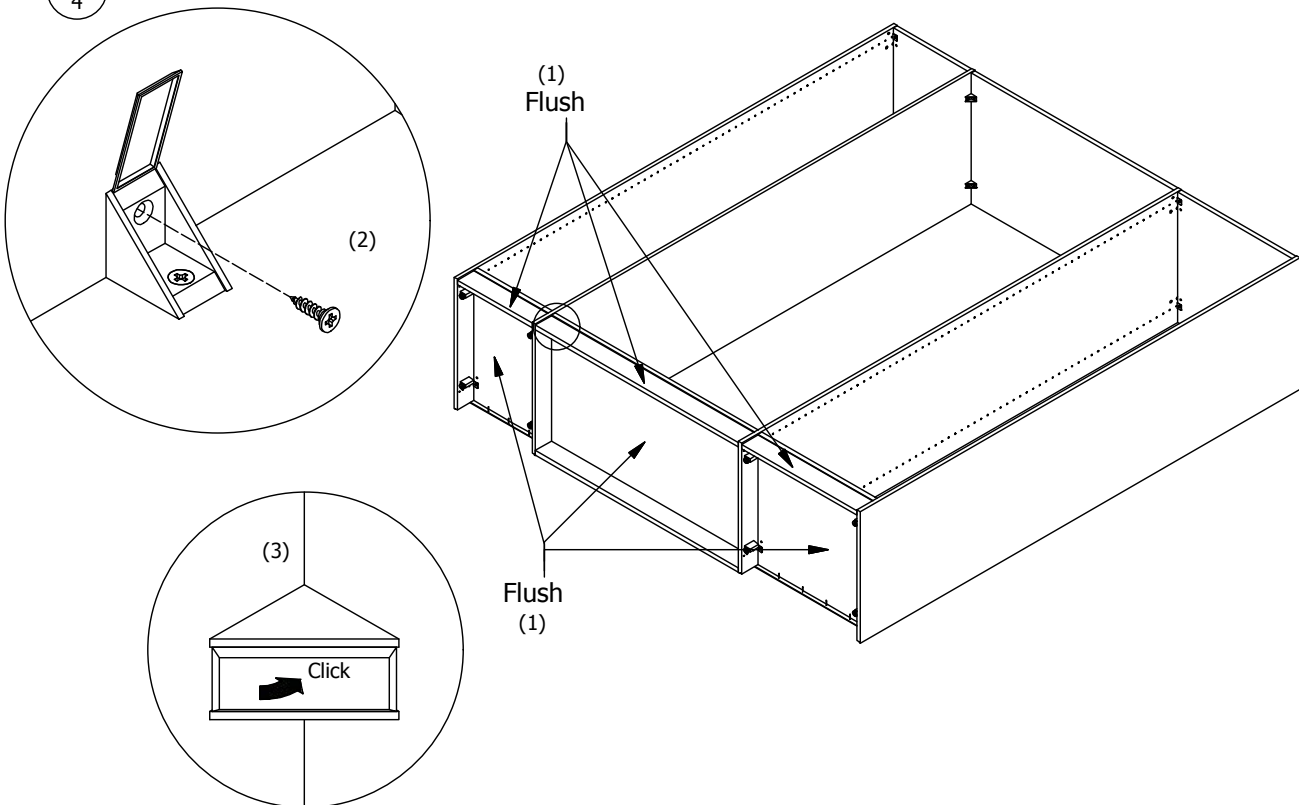
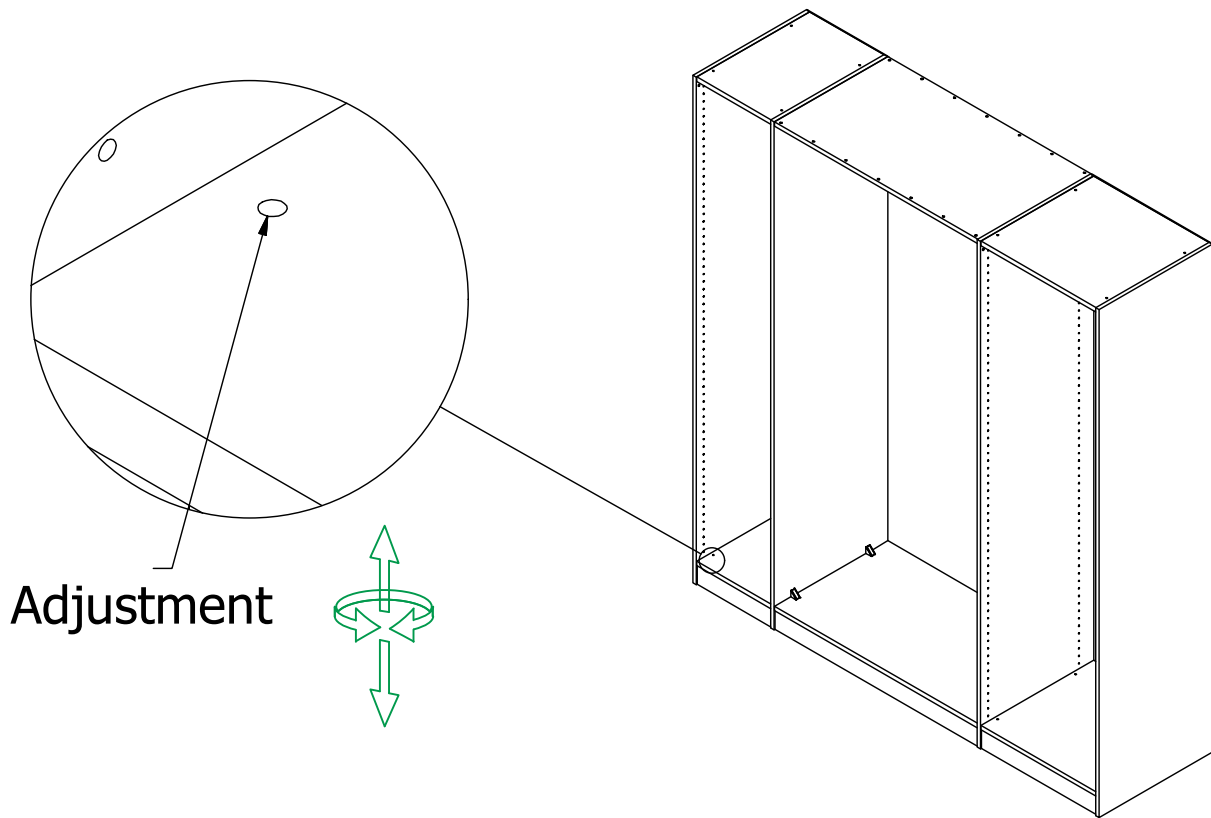
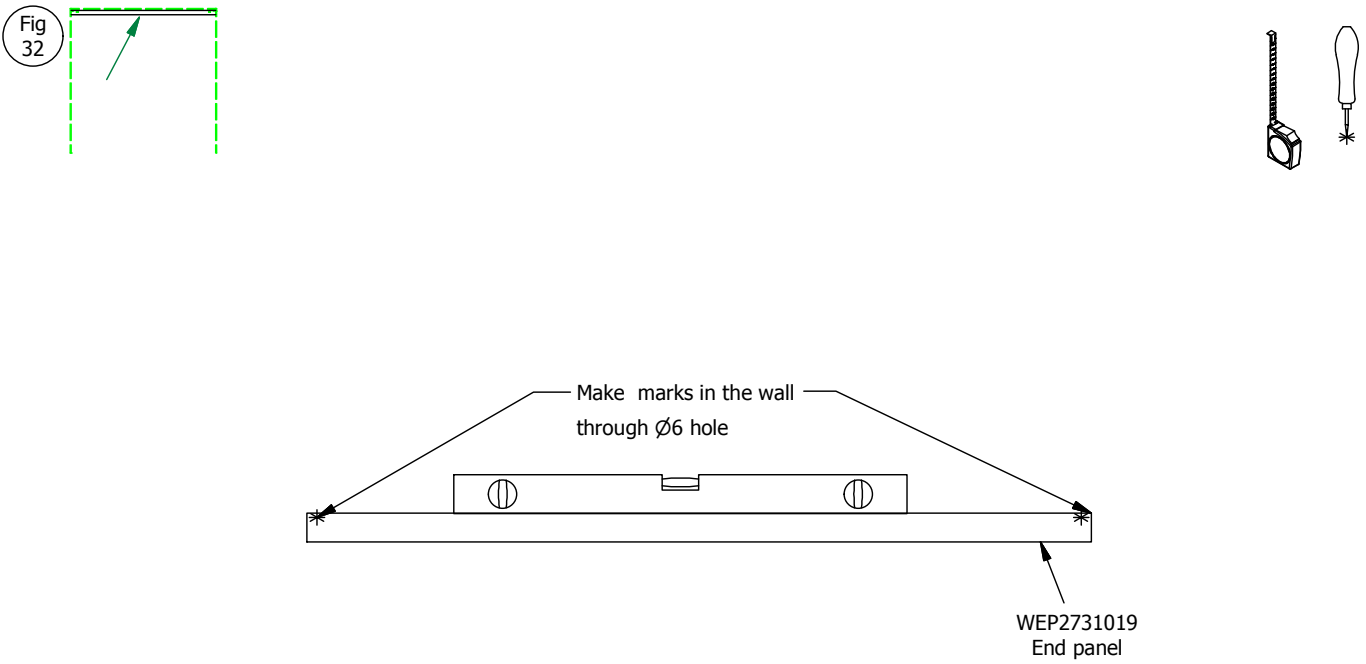
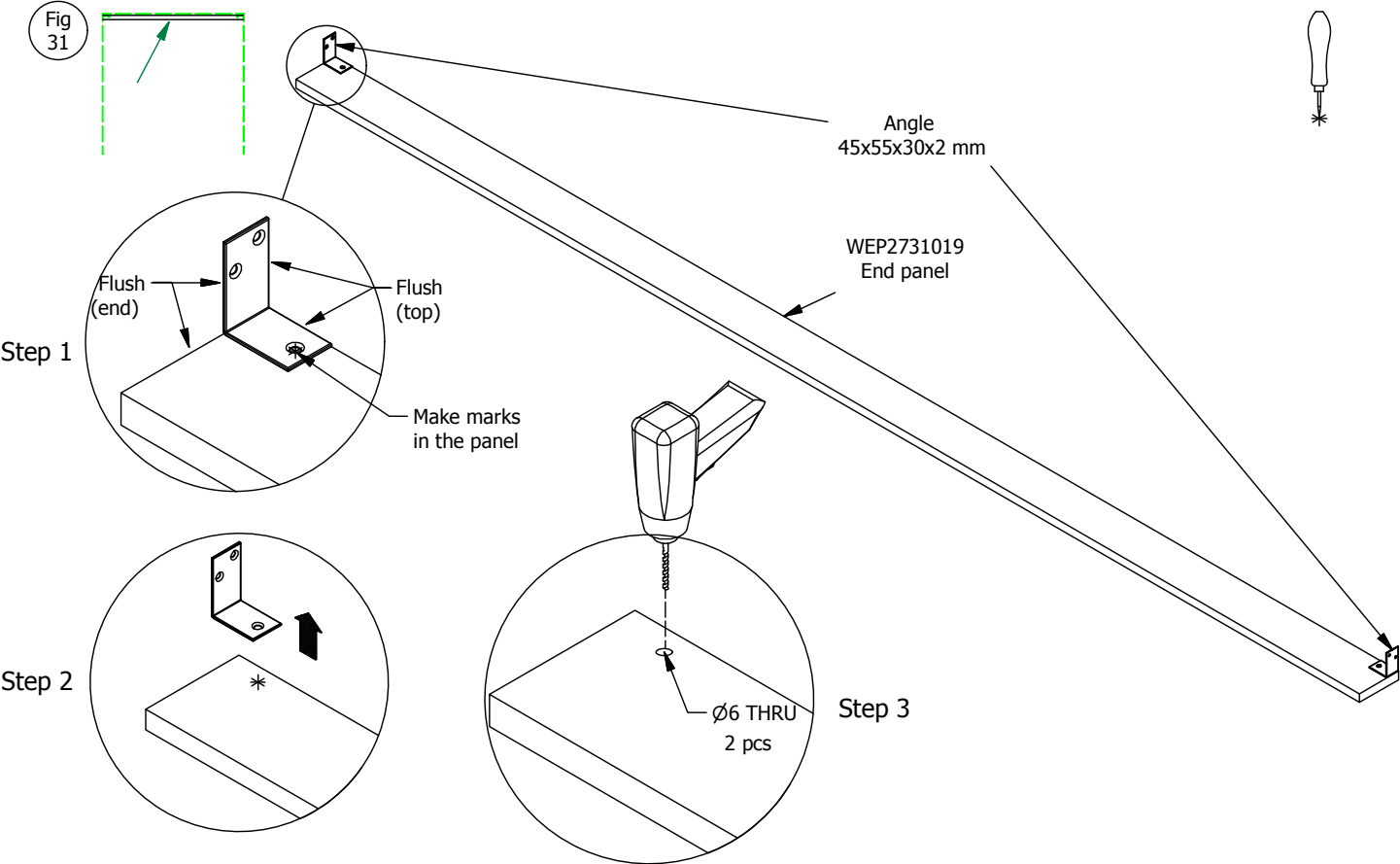


FIG. 4





# Module16 Mounting instruction



# Module 16

## Mounting instruction

Fig 33

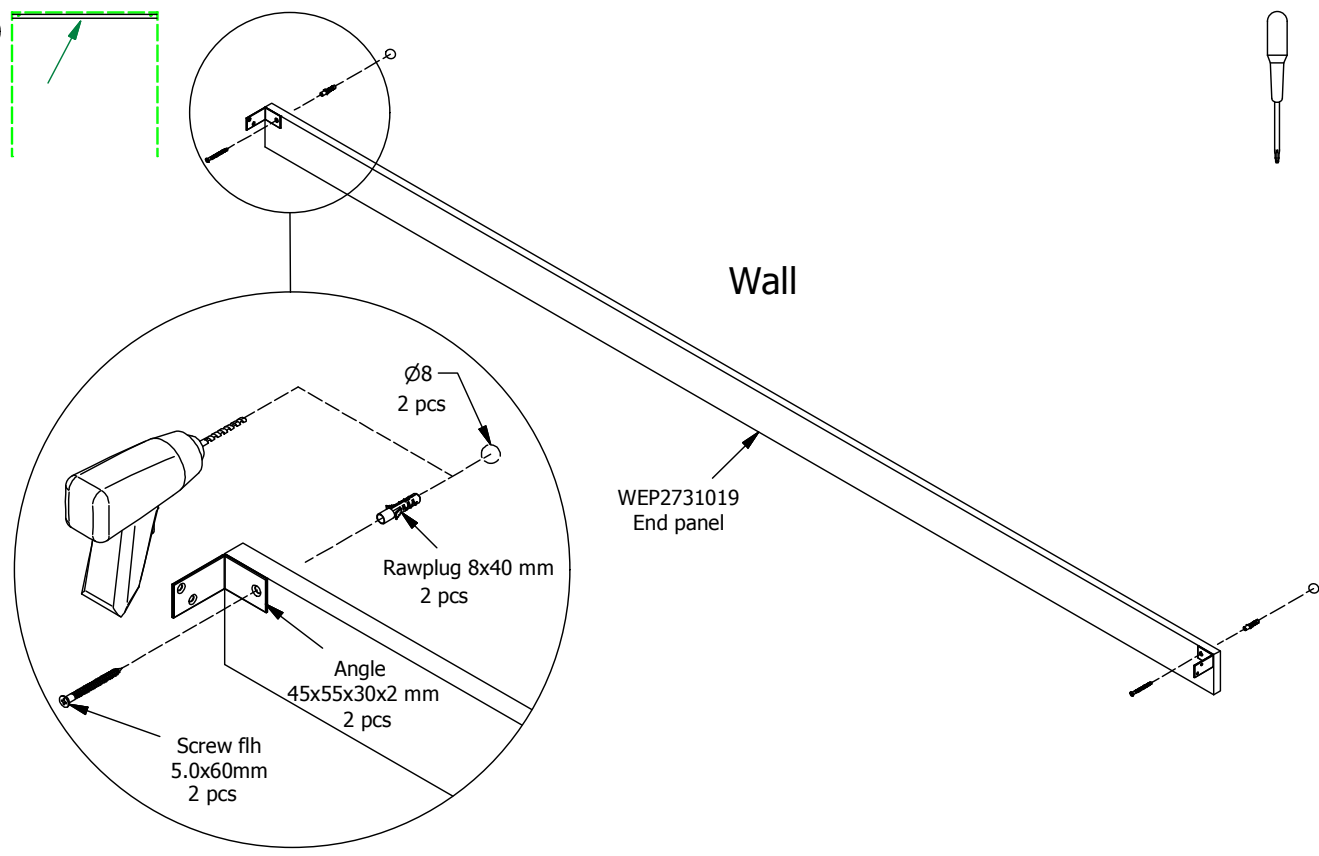
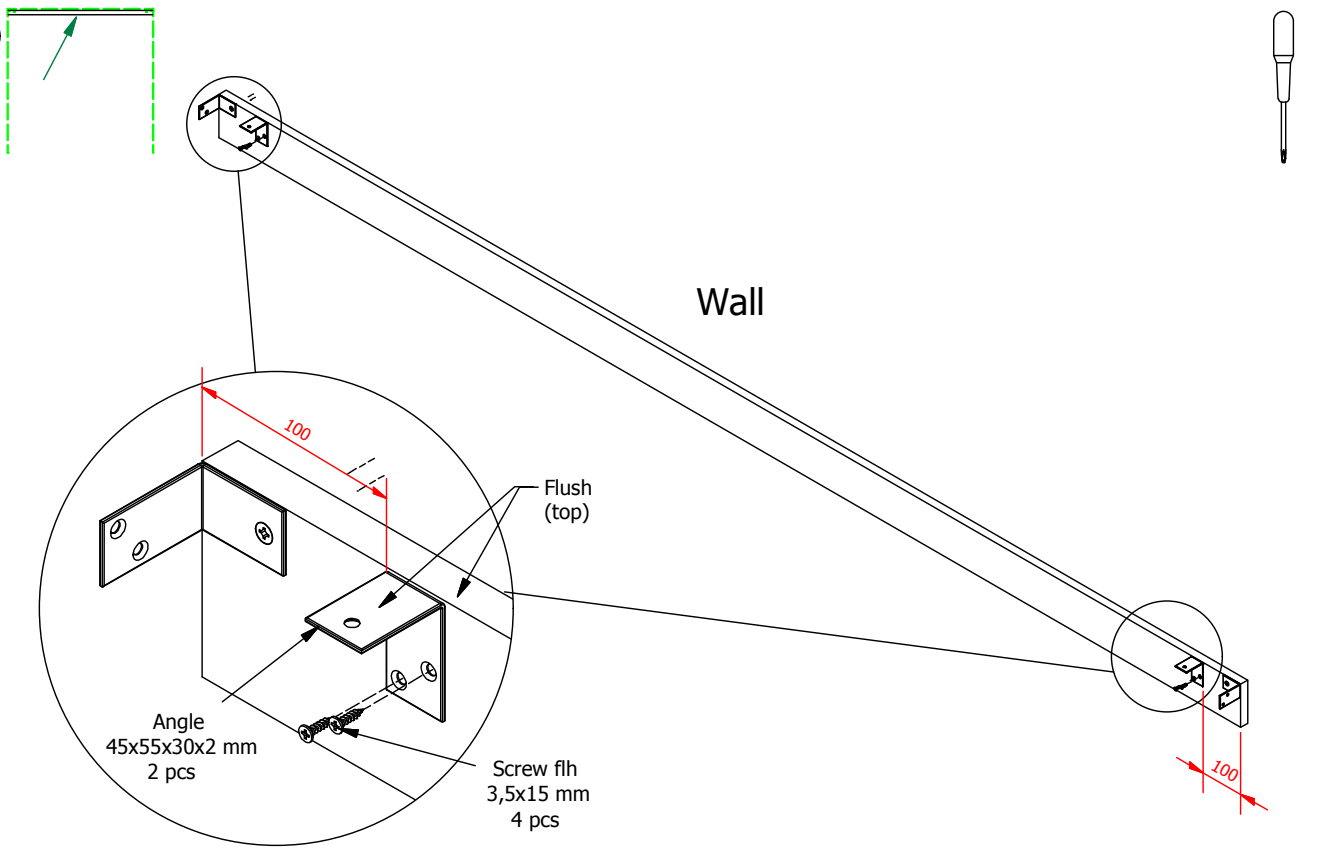
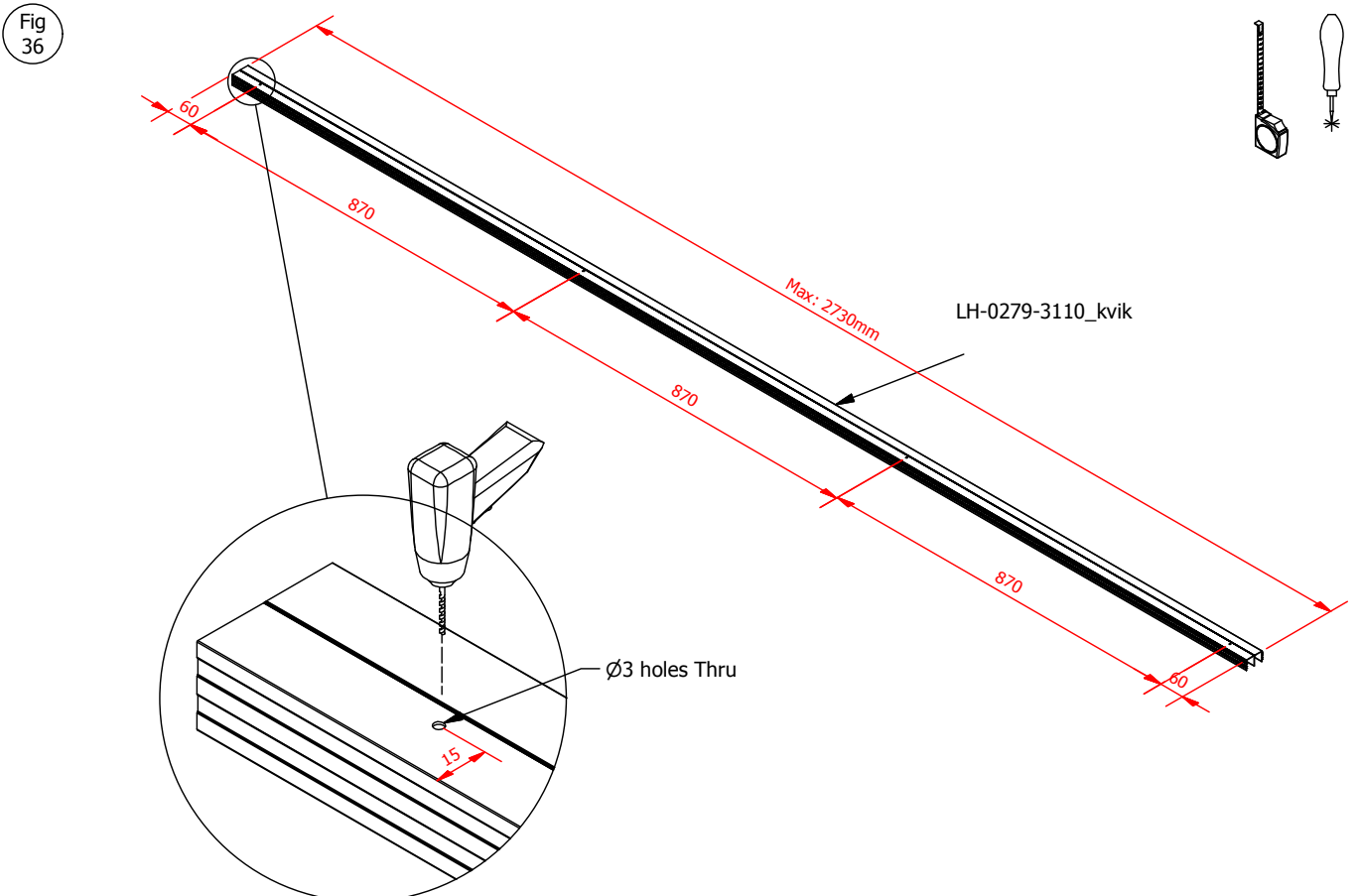
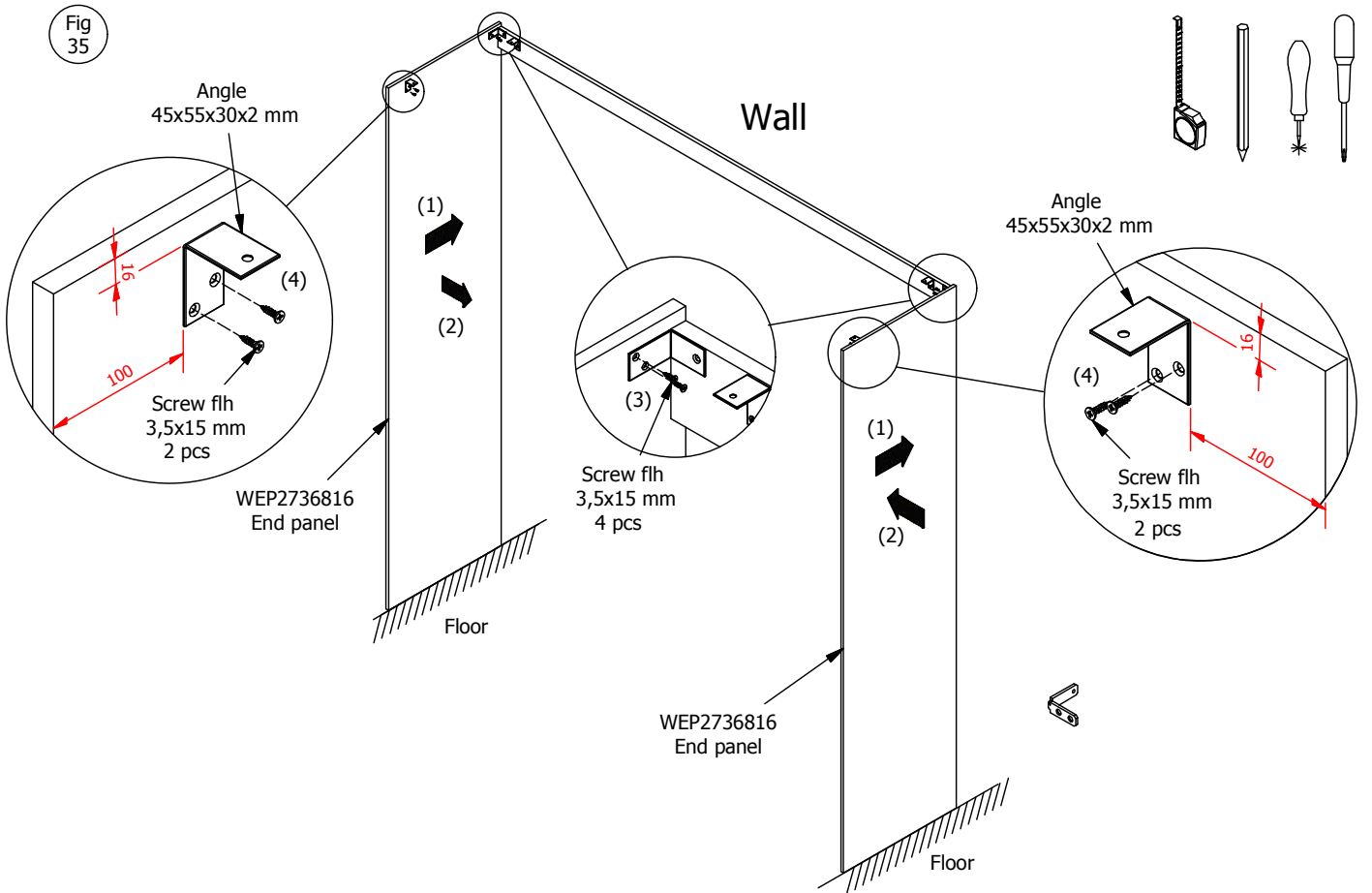


Fig 34



# Module 16

## Mounting instruction

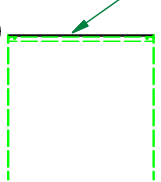




# Module 16

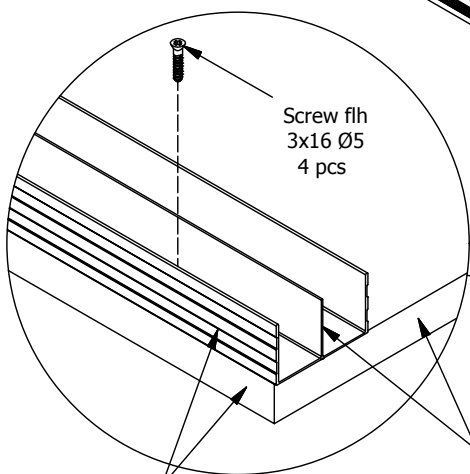
## Mounting instruction

Fig 37



LH-0279-3110\_kvik

WEP2736816  
End panel

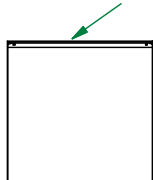


Screw flh  
3x16 Ø5  
4 pcs

Flush

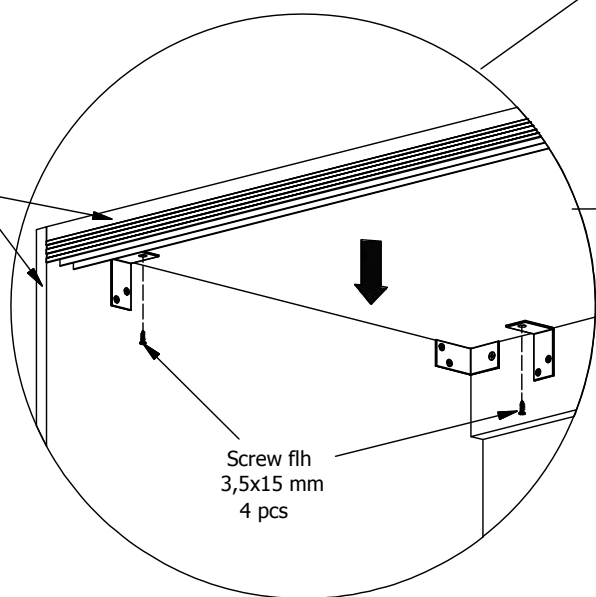
Flush

Fig 38



WEP2736816  
End panel

Flush



Screw flh  
3,5x15 mm  
4 pcs